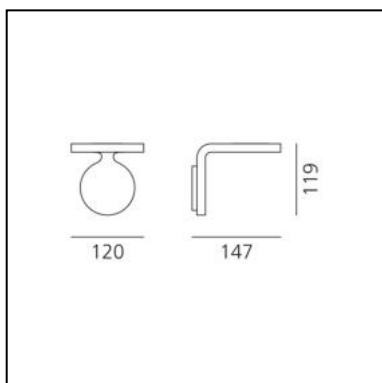


# Rea 12

Neil Poulton



IP20  



## LUMINAIRE

- Watt: **9W**
- Delivered lumens output: **790lm**
- CCT: **3000K**
- Efficiency: **99%**
- Efficacy: **87.79lm/W**
- CRI: **80**

## DESCRIPTION

“Rea is a little reflection of itself, a bending splitting amoeba. Or maybe the Enterprise from Star Trek, if designers were still allowed to be influenced by childhood dreams”. Neil PoultonA decisive yet soft gesture summarizes this small wall lamp, available in two sizes (120 and 170mm). two equal and perpendicular discs act as wall support and host the LED optics, which diffuse indirect light with a 90% performance level.

**PRODUCT CODE: 1614010A**

## FEATURES

- Article Code: **1614010A**
- Colour: **White**
- Installation: **Wall**
- Material: **Aluminium**
- Series: **Design Collection**
- Environment: **Indoor**
- design by: **Neil Poulton**

## DIMENSIONS

- Length: **cm 12**
- Width: **cm 14.7**
- Height: **cm 11.9**

## SOURCES INCLUDED

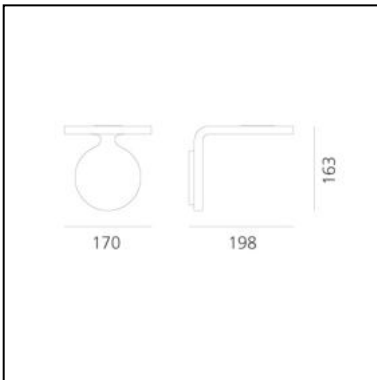
- Category: **Led**
- Number: **1**
- Watt: **9W**
- Color temperature (K): **3000K**
- CRI: **80**

# Rea 17

Neil Poulton



IP20    



## LUMINAIRE

- Watt: **20W**
- Delivered lumens output: **1950lm**
- CCT: **3000K**
- Efficiency: **98%**
- Efficacy: **97.51lm/W**
- CRI: **80**

## DESCRIPTION

“Rea is a little reflection of itself, a bending splitting amoeba. Or maybe the Enterprise from Star Trek, if designers were still allowed to be influenced by childhood dreams”. Neil PoultonA decisive yet soft gesture summarizes this small wall lamp, available in two sizes (120 e 170mm). two equal and perpendicular discs act as wall support and host the LED optics, which diffuse indirect light with a 90% performance level.

**PRODUCT CODE: 1615010A**

## FEATURES

- Article Code: **1615010A**
- Colour: **White**
- Installation: **Wall**
- Material: **Aluminium**
- Series: **Design Collection**
- Environment: **Indoor**
- design by: **Neil Poulton**

## DIMENSIONS

- Length: **cm 17**
- Width: **cm 19.8**
- Height: **cm 16.3**
- Glow Wire Test: **850°**

## SOURCES INCLUDED

- Category: **Led**
- Number: **1**
- Watt: **20W**
- Delivered lumens output: **1950lm**
- Color temperature (K): **3000K**
- CRI: **80**
- Efficacy: **98lm/W**