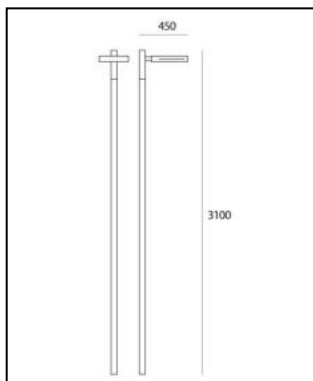


# Provoca Pole 3000K Gray/white

Ernesto Gismondi



IP65   



## LUMINAIRE

- Watt: **25W**
- Voltage: **220V-240V**
- Delivered lumens output: **1503lm**
- CCT: **3000K**
- Efficiency: **78%**
- Efficacy: **60.11lm/W**
- CRI: **80**

## DESCRIPTION

The LED circuits are directly anchored to the aluminium casing of the body in order to maximize heat dissipation. Moreover, some dissipation fins have been included in the product design to increase the heat exchange surface with external air. The grid in the central part of the product allows natural air circulation, which cools the dissipation surface. Due to a natural convective motion, cold air removes heat from the dissipation grid, it heats up and moves upwards, through the lighting unit, getting new fresh air from the lower part. In this way, LEDs are maintained at a lower temperature and their life time and light efficiency increase. Head-pole fixture consist of lighting unit and pole connection. 50x50mm square pole installation with 40x120mm square shank (not supplied). Lighting unit in painted die-cast EN-AB 47100 aluminium. High-performance asymmetrical optics in metalised polycarbonate. Screens in shock resistant, high transparent tempered glass. Head-pole fitting in painted steel. Painting is obtained with 3-stage outdoor treatment: nanotechnologies, antioxidant primer, polyester paint. AISI 316 stainless steel screws and silicone seal gaskets. Technical features of light fixtures in compliance with EN60598-1. IP Rating IP65. ENEC approved. Insulation class I.

## PRODUCT CODE: SCENARIOS

### FEATURES

- Article Code: **T085410**
- Colour: **Gray/white**
- Installation: **Pole**
- Material: **Aluminum, polycarbonate, tempered glass**
- Series: **Scenarios**
- Environment: **Outdoor**
- Emission: **Direct**
- design by: **Ernesto Gismondi**

### DIMENSIONS

- Length: **cm 45**
- Width: **cm 23**
- Height: **cm 25**
- Impact Resistance: **IK06**
- Glow Wire Test: **650°**

### SOURCES INCLUDED

- Category: **Led**
- Number: **1**
- Watt: **25W**
- Color temperature (K): **3000K**
- CRI: **80**

**Accessories**

NO  
IMAGE  
AVAILABLE

PROVOCA ATTACCO X PALO T085500

NO  
IMAGE  
AVAILABLE

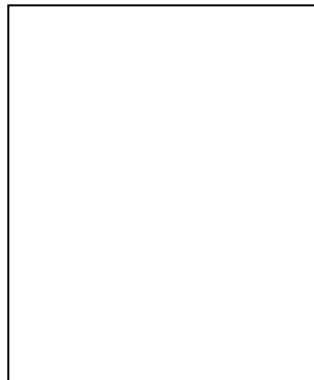
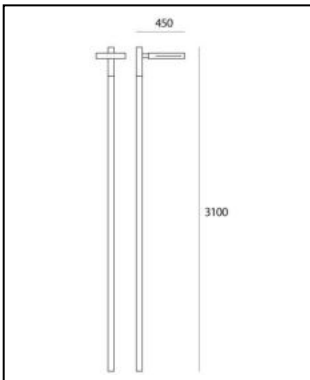
PROVOCA PALO 50X50 H 300 CM T085200

# Provoca Pole 4000K Anthracite gray

Ernesto Gismondi



IP65   



## LUMINAIRE

- Watt: **25W**
- Voltage: **220V-240V**
- Delivered lumens output: **1400lm**
- CCT: **4000K**
- Efficiency: **78%**
- Efficacy: **56lm/W**
- CRI: **80**

## DESCRIPTION

The LED circuits are directly anchored to the aluminium casing of the body in order to maximize heat dissipation. Moreover, some dissipation fins have been included in the product design to increase the heat exchange surface with external air. The grid in the central part of the product allows natural air circulation, which cools the dissipation surface. Due to a natural convective motion, cold air removes heat from the dissipation grid, it heats up and moves upwards, through the lighting unit, getting new fresh air from the lower part. In this way, LEDs are maintained at a lower temperature and their life time and light efficiency increase. Head-pole fixture consist of lighting unit and pole connection. 50x50mm square pole installation with 40x120mm square shank (not supplied). Lighting unit in painted die-cast EN-AB 47100 aluminium. High-performance asymmetrical optics in metalised polycarbonate. Screens in shock resistant, high transparent tempered glass. Head-pole fitting in painted steel. Painting is obtained with 3-stage outdoor treatment: nanotechnologies, antioxidant primer, polyester paint. AISI 316 stainless steel screws and silicone seal gaskets. Technical features of light fixtures in compliance with EN60598-1. IP Rating IP65. ENEC approved. Insulation class I.

## PRODUCT CODE: SCENARIOS

### FEATURES

- Article Code: **T085420**
- Colour: **Anthracite gray**
- Installation: **Pole**
- Material: **Aluminum, polycarbonate, tempered glass**
- Series: **Scenarios**
- Environment: **Outdoor**
- Emission: **Direct**
- design by: **Ernesto Gismondi**

### DIMENSIONS

- Length: **cm 45**
- Width: **cm 23**
- Height: **cm 25**
- Impact Resistance: **IK06**
- Glow Wire Test: **650°**

### SOURCES INCLUDED

- Category: **Led**
- Number: **1**
- Watt: **25W**
- Color temperature (K): **4000K**
- CRI: **80**

**Accessories**

NO  
IMAGE  
AVAILABLE

PROVOCA POLE attacco palo grigio antracite  
T085520

NO  
IMAGE  
AVAILABLE

PROVOCA POLE palo H. 300cm grigio antracite  
T085220