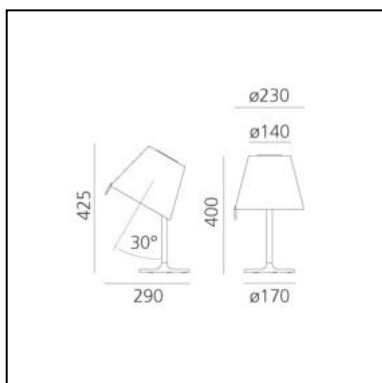


Melampo Night - Bronze Ecrù

Adrien Gardère



IP20   **EAC**   



LUMINAIRE

- Watt: **5W**
- Voltage: **220V-240V**
- Delivered lumens output: **349lm**
- Efficiency: **74%**
- Efficacy: **69.81lm/W**
- CRI: **80**

Notes

Adjustable diffuser into two positions.

DESCRIPTION

Base in painted zamac; painted aluminium stem; diffuser in silk satin fabric on a plastic frame.

PRODUCT CODE: 0710020A

FEATURES

- Article Code: **0710020A**
- Colour: **Ecrù**
- Installation: **Table**
- Material: **Aluminium, zamak, silk satin fabric and technopolymer**
- Series: **Design Collection**
- Environment: **Indoor**
- Area contract: **Hospitality, Residential**
- Emission: **Diffused And Direct, indirect**
- design by: **Adrien Gardère**

DIMENSIONS

- Height: **cm 40**
- Diameter: **cm 23**
- Base Diameter: **cm 17**
- Max Extension Height: **cm 42.5**
- Inclination: **cm 30**
- Impact Resistance: **N/D**
- Glow Wire Test: **650°**

SOURCES NOT INCLUDED

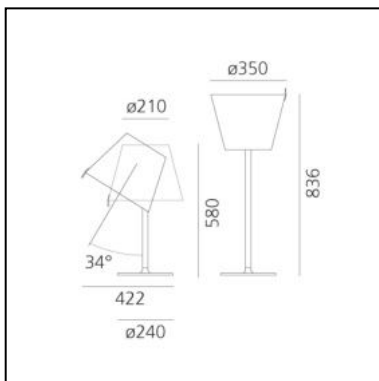
- Category: **LED RETROFIT**
- Number: **1**
- Watt: **6W**
- Socket: **E14**

Melampo Table - Grey

Adrien Gardère



IP20      



LUMINAIRE

- Watt: **34W**
- Voltage: **220V-240V**
- Delivered lumens output: **2279lm**
- Efficiency: **58%**
- Efficacy: **67.03lm/W**
- CRI: **80**

Notes

Adjustable diffuser into three different positions.

DESCRIPTION

Base in painted zamac; painted aluminium stem; diffuser in silk satin fabric on a plastic frame.

PRODUCT CODE: 0315010A

FEATURES

- Article Code: **0315010A**
- Colour: **Grey**
- Installation: **Table**
- Material: **Aluminium, zamak, silk satin fabric and technopolymer**
- Series: **Design Collection**
- Environment: **Indoor**
- Area contract: **Hospitality, Residential**
- Emission: **Diffused And Direct, indirect**
- design by: **Adrien Gardère**

DIMENSIONS

- Height: **cm 58**
- Diameter: **cm 35**
- Base Diameter: **cm 24**
- Max Extension Height: **cm 83.6**
- Impact Resistance: **N/D**
- Glow Wire Test: **650°**

SOURCES NOT INCLUDED

- Category: **LED RETROFIT**
- Number: **2**
- Watt: **17W**
- Socket: **E27**