

H 2860 B

Oven

with a timer, XL oven compartment & PerfectClean.



- 7-segment display with retractable rotary controls – EasyControl
- Particularly easy to clean – PerfectClean finish
- Lots of room and flexibility – 76 l oven capacity on 5 levels
- Protects against burns – touch-cool fronts

A+

EAN: 4002516156765 / Material number: 11093330 / Old Material Number: 22286044GB

| Construction type and design | |
|---|-----------------------------|
| Built-in oven | • |
| PureLine | • |
| Appliance Colour | Stainless steel/Clean Steel |
| Retractable rotary controls | • |
| Convenience features | |
| Rapid heat-up | • |
| Operating modes | |
| Defrosting | • |
| Eco fan heat | • |
| Grill operating modes | • |
| Grill | • |
| Fan plus | • |
| Intensive bake | • |
| Conventional heat | • |
| Bottom heat | • |
| Fan grill | • |
| User convenience | |
| Display | EasyControl |
| SoftOpen | • |
| SoftClose | • |
| Individual settings | • |
| Timer functions | • |
| Time of day display | • |
| Minute minder | • |
| Programmable end of cooking duration | • |
| Programmable cooking duration | • |
| Actual temperature display | • |
| Target temperature display | • |
| Buzzer when desired temperature is reached | • |
| Recommended temperature | • |
| Efficiency and sustainability | |
| Energy efficiency class (A+++ – D) | A+ |
| Cleaning convenience | |
| Stainless steel/CleanSteel finish | • |
| Oven compartment with PerfectClean and catalytically enamelled liners | • |
| Hinged grill element | • |
| CleanGlass door | • |
| Safety | |
| Appliance cooling system and touch-cool front | • |
| Safety switch-off | • |
| System lock | • |
| Technical data | |
| Oven compartment volume in l | 76 |
| No. of shelf levels | 5 |
| Number of shelf levels oven compartment 1 | 5 |
| Number of shelf levels oven compartment 2 | 5 |
| Numbered shelf levels | • |
| Oven light | 1 halogen spot |

H 2860 B

Oven

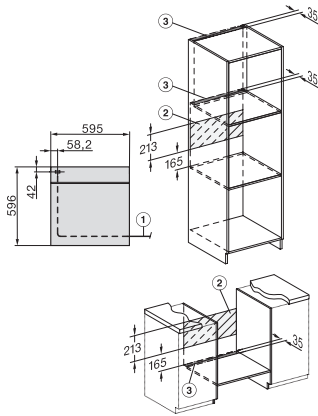
with a timer, XL oven compartment & PerfectClean.



EAN: 4002516156765 / Material number: 11093330 / Old Material Number: 22286044GB

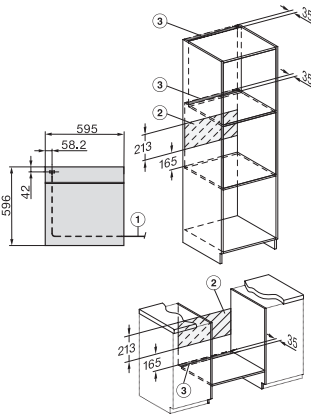
| | |
|---|----------|
| Electronic temperature regulation min. in °C | 30 |
| Electronic temperature regulation max. in °C | 250 |
| Niche width min. in mm | 560 |
| Niche width max. in mm | 568 |
| Niche height min. in mm | 590 |
| Niche height max. in mm | 595 |
| Niche depth in mm | 550 |
| Appliance width in mm | 595 |
| Appliance height in mm | 596 |
| Electronic steam oven temperature regulation min. in °C | 30-250 |
| Appliance depth in mm | 569 |
| Weight in kg | 42.0 |
| Total rated load in kW | 3.50 |
| Voltage in V | 220-240 |
| Frequency in Hz | 50 |
| Number of phases | 1 |
| Fuse rating in A | 16 |
| Length of supply lead in m | 1.50 |
| Replacing lamps | Customer |
| Accessories supplied | |
| Baking tray with PerfectClean | 1 |
| Universal tray with PerfectClean | 1 |
| Baking and roasting rack without PerfectClean | 1 |
| FlexiClip runners with PerfectClean | 1 |
| Removable side runners (pair) | 1 |
| Anti-splash insert with PerfectClean | 1 |

H 2860 B Oven with a timer, XL oven compartment & PerfectClean.



H226x-1B/BP/E/EP//IP, H2760B/BP, H28x0B/BP, H7x6xB/BP/BPX installation drawings

1) Netzanschlussleitung, L=1500 mm, 2) In diesem Bereich kein Anschluss, 3) Lüftungsausschnitt min. 150 cm²



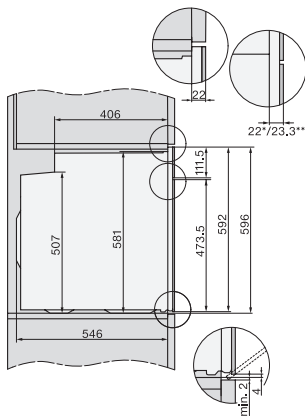
H226x-1B/BP/E/EP//IP, H2760B/BP, H28x0B/BP, H7x6xB/BP/BPX, installation drawings, GB, AUS

1) Netzanschlussleitung, L=1500 mm, 2) In diesem Bereich kein Anschluss, 3) Lüftungsausschnitt min. 150 cm²



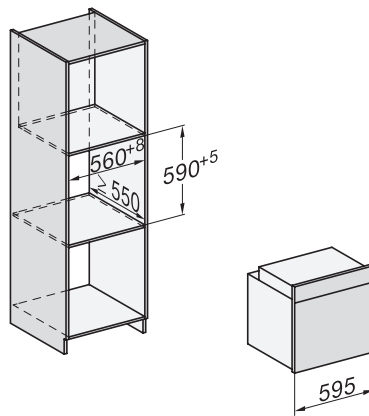
H2760B/BP, H28x0B/BP, H7x6xB/BP/BPX, DGC7351, DGC7151, installation drawings

22 mm – glass, 23,3 mm – metal

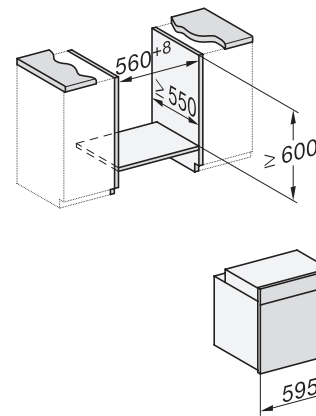


H2760B/BP, H28x0B/BP, H7x6xB/BP/BPX, installation drawings

22 mm – glass, 23,3 mm – metal



H226x-1B/BP/E/EP//IP, H2760B/BP, H28x0B/BP, H7x6xB/BP/BPX, installation drawings



H226x-1B/BP/E/EP//IP, H2x6xB/BP, H7x6xB/BP/BPX, installation drawings

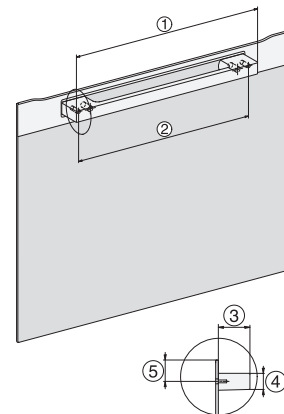
If the oven is to be installed under a hob, follow the instructions for installing the hob and the height of the hob.

H226x-1B/E/I, H2x6xB, H7x6xB, installation drawings

1) Mains connection cable, L=2000 mm, 2) No connection in this area, 3) Lüftungsausschnitt min. 150 cm²

H226x-1B/E/I, H2x6xB, H7x6xB, installation drawings, GB, AUS

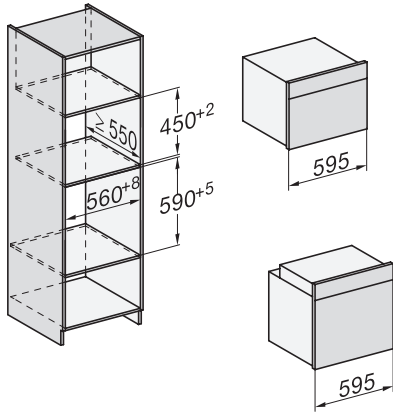
1) Mains connection cable, L=2000 mm, 2) No connection in this area, 3) Lüftungsausschnitt min. 150 cm²



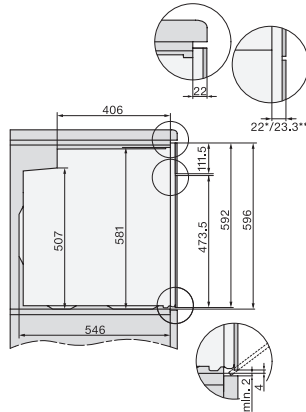
DG2840, DG7x40, DGC7x4x, DG7x6x, DGC7x6x, DGD7635, DGM7x4x, DO7, H28B/BP, H7x4xB/BM/BP, H7x6xB/BP, installation drawing

1) 400 mm, 2) 360 mm, 3) 47 mm, 4) 24 mm, 5) 32,5 mm

H 2860 B
Oven
with a timer, XL oven compartment & PerfectClean.

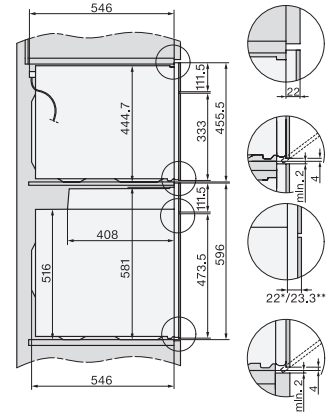


H226x-1B/BP/E/IP, H2760B/BP, H28x0B/BP, H7x40BM/BMX, H7x6xB/BP/BPX, installation drawings



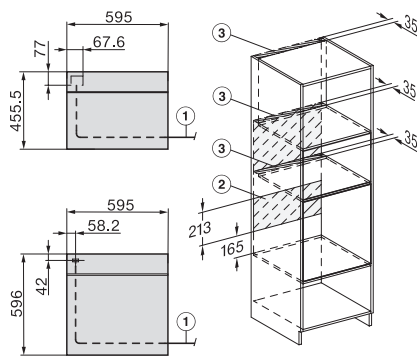
H2760B/BP, H28x0B/BP, H7x6xB/BP/BPX, installation drawings

22 mm – glass, 23.3 mm – metal



H2xxx-1 B/BP/E/IP, H7xxx B/BP/BM/BMX, installation drawings

22 mm – glass, 23,3 mm – metal



H2xxx-1 B/BP/E/IP, H7xxx B/BP/BM/BMX, installation drawings

22 mm – glass, 23,3 mm – metal